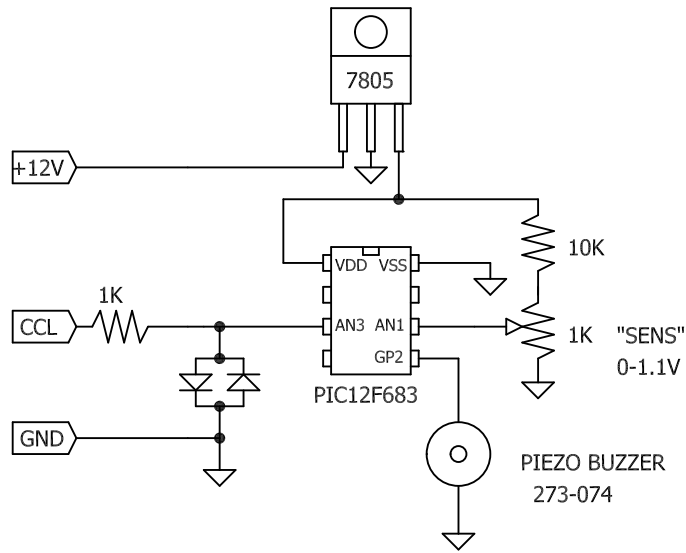


REVISIONS				
ZONE	REV	DESCRIPTION	DATE	APPROVED
		INITIAL RELEASE	09-17-06	CRM



(C) WELLOG 2006

		WELLOG		
		TITLE: CCL-BEEPER		
DRAWN BY: CHUCK MERRITT	SIZE A	FSCM NO.	DWG NO.	REV 1.0
DATE: 09-17-06	SCALE 1" = 1"		SHEET 1 of 1	