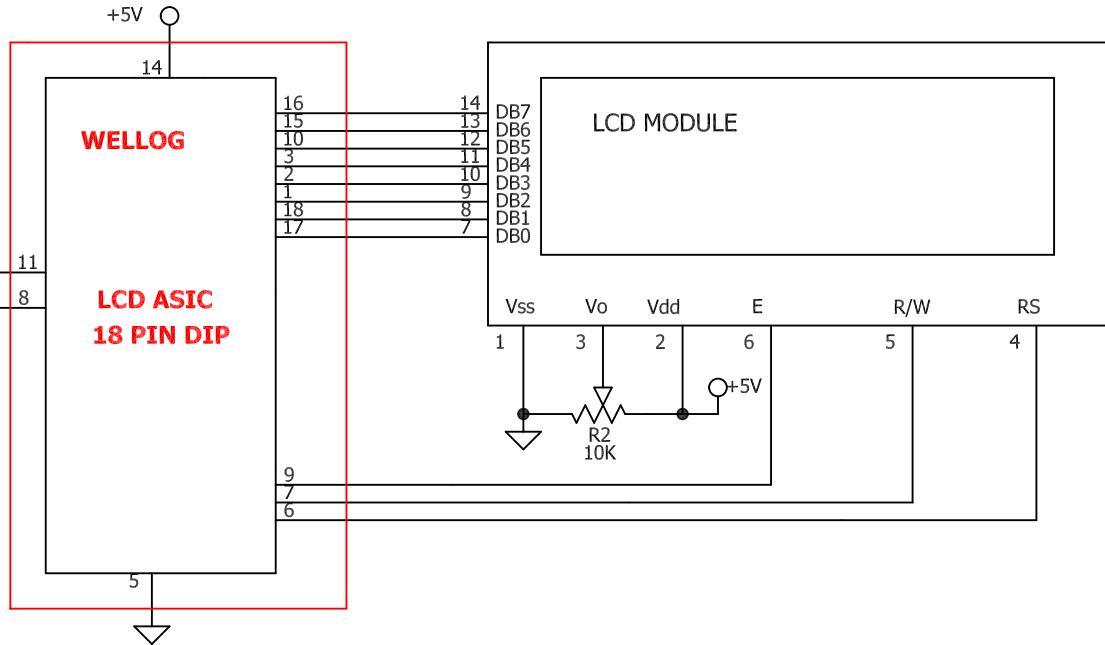
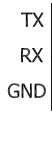
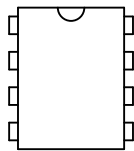


Optional
RS-232
RS-422



- LCD-ASIC-4800 = 4800 BAUD
- LCD-ASIC-9600 = 9600 BAUD
- LCD-ASIC-19200 = 19200 BAUD
- LCD-ASIC-38400 = 38400 BAUD
- LCD-ASIC-57600 = 57600 BAUD

lcd_asic.dwg

PROPRIETARY DOCUMENT

WELLOG

Title:	LCD ASIC
Drawn By:	Chuck Merritt
Date:	April 3, 2008
Revision:	1.00