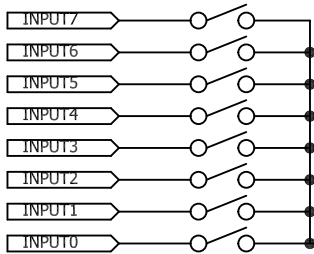
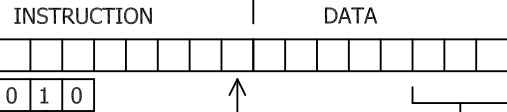
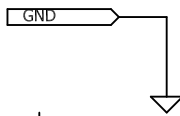
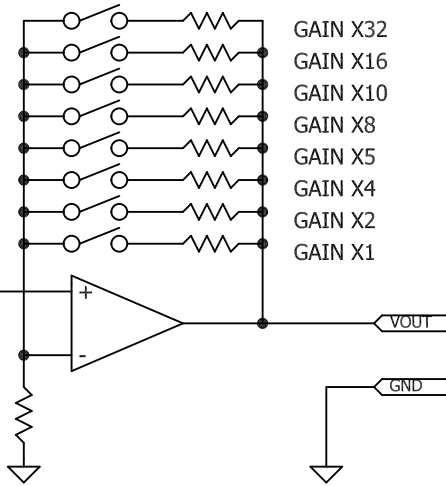


REVISIONS				
ZONE	REV	DESCRIPTION	DATE	APPROVED

**PROG INPUT SELECT**



**PROG GAIN SELECT**



WRITE REG.

**SPI CONTROL WORD**

(C) WELLOG 2006

		<b>WELLOG</b>			
		TITLE: <b>PROGRAMMABLE GAIN AMP</b>			
DRAWN BY: <b>CHUCK MERRITT</b>		SIZE <b>A</b>	FSCM NO.	DWG NO.	REV <b>1.0</b>
DATE: <b>11-06-2006</b>		SCALE <b>1" = 1"</b>		SHEET <b>1 of 1</b>	